

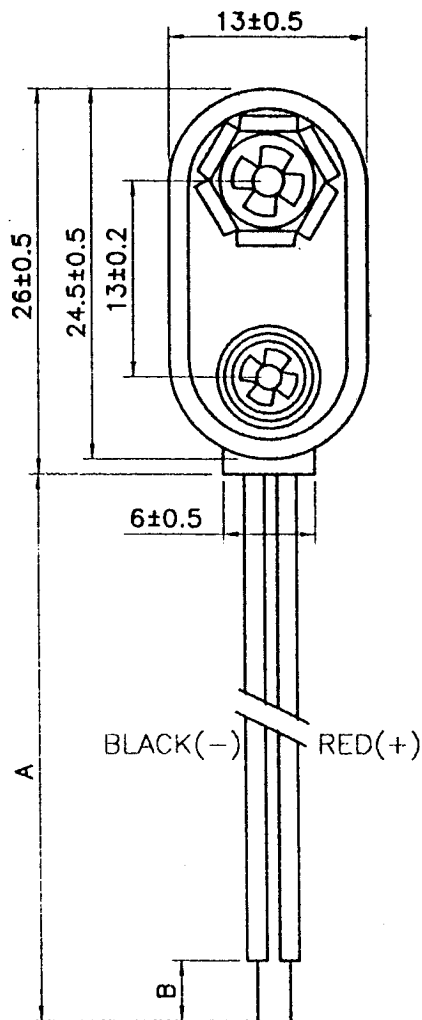
Distributed by:

JAMECO[®]
ELECTRONICS

www.Jameco.com ♦ 1-800-831-4242

The content and copyrights of the attached
material are the property of its owner.

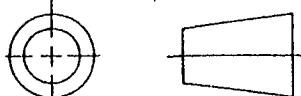
Jameco Part Number 216452



SPECIFICATION

- (1) ITEM NO.: SBS-IR-1 / 26AWG / 150
- (2) WIRE: UL1007 AWG#26
 BLACK : A: 150 MM± 5 MM
 RED : A: 150 MM± 5 MM
 STRIP & TIN B: 5 MM±1 MM
- (3) WITH 6 PRONG SNAP TERMINAL
- (4) MATERIAL: A.B.S RESIN, BLACK COLOR
- (5) RoHS Compliant

3			COMFORTABLE ELECTRONIC CO.LTD.			
2						
1	Add RoHS compliant	2005 11/16				
NO.	MODIFICATION	DATE	NAME	BATTERY SNAP SBS-IR-1 / 26AWG / 150		
			SCALE	2:1	APPD.	<i>Ju hiron 8/9/01</i>
			UNIT	MM	CHKD.	<i>Huang Yong Han</i>
			MAT'L	A.B.S.	DWN.	DEMI MA
			DATE	JUNE.11.2001	DR NO.	SIR1-0601



THIRD ANGLE PROJECTION