

Distributed by:

JAMECO[®]
ELECTRONICS

www.Jameco.com ♦ 1-800-831-4242

The content and copyrights of the attached
material are the property of its owner.

Jameco Part Number 24732

MCD Electronics Inc.

GNS-3011ABx-11(0.30" SINGLE DIGIT LED DISPLAY)

Features:

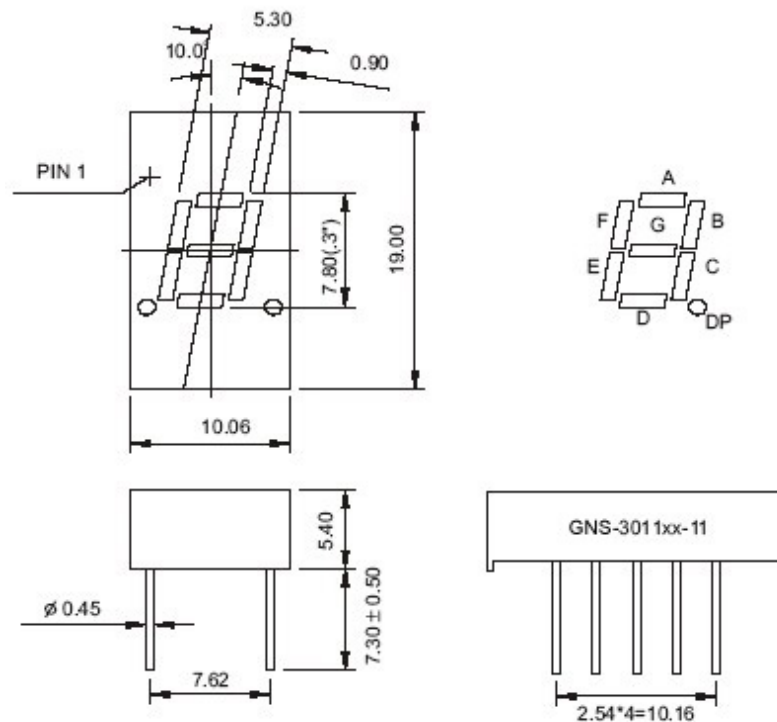
- *HIGH SEGMENT INTENSITY.
- *WIDE VIEWING ANGLE
- *RANGE OF COLOR
- *BLACK FACE WHITE SEGMENT
- *ROHS COMPLIANT

Available option:

- *ALTERNATIVE FACE AND SEGMENT COLOR
- *ALTERNATIVE FONT
- *CROPPED TERMINAL PINS
- *AVAILABLE EMITTING COLOR
- *LOW CURRENT VERSION

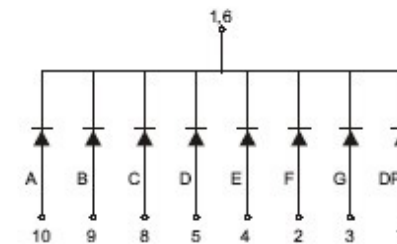
GNS-3011ABx

PACKAGE DIMENSION

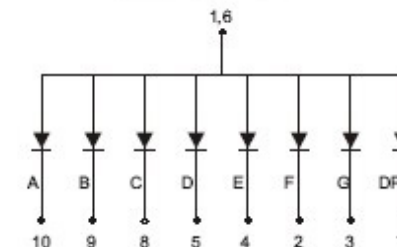


INTERNAL CIRCUIT DIAGRAM

Common Cathode GNS-3011Ax



Common Anode GNS-3011Bx



Maximum Ratings Ta=25 (Derate above 25)

Characteristics	Test Conditon	symbol	H	S	D	E	Y	G	Units
Pulse forward Current Per Seg.	1/10 duty cycle 0.1ms pulse width	I_{FP}	50	100	100	100	100	100	mA
DC forward Current Per Seg.		I_F	15	25	25	30	30	30	mA
Reverse Current Per Seg.	$V_R=10V$	I_R	10	10	10	10	10	10	μA
Power Dissipation		P_D	40*8	60*8	60*8	80*8	80*8	80*8	mw
Operating Temperature		T_{OPR}	-40~+80						
Storage Temperature		T_{TSG}	-40~+85						
Lead Soldering Temperature	1.60mm from body max. 3 seconds		260						

Electro/Optical Characteristics If=20mA Ta=25

Part Number Common Cathode	Emitting Color	Peak Wavelength	Forward Voltage V_F / Seg.		Luminous Intensity I_V / Seg.	
			Typ.	Max.	Min.	Typ.
GNS-3011AH-11	GaP/GaP Red	700	2.25	2.50	0.40	0.80
GNS-3011AS-11	GaAlAs/GaAs SH Hi-Red	660	1.80	2.20	8.00	12.00
GNS-3011AD-11	GaAlAs/GaAs DH Supper Red	632	1.80	2.20	22.00	28.00
GNS-3011AE-11	GaAsP/GaP Orange	632	2.10	2.50	8.00	12.00
GNS-3011AY-11	GaAsP/GaP Yellow	585	2.10	2.50	4.00	7.00
GNS-3011AG-11	GaP/GaP Green	568	2.20	2.50	7.00	11.00
Units		nm	V		mcd	

Part Number Common Anode	Emitting Color	Peak Wavelength	Forward Voltage V_F / Seg. (DP)		Luminous Intensity I_V / Seg. (DP)	
			Typ.	Max.	Min.	Typ.
GNS-3011BH-11	GaP/GaP Red	700	2.25	2.50	0.40	0.80
GNS-3011BS-11	GaAlAs/GaAs SH Hi-Red	660	1.80	2.20	8.00	12.00
GNS-3011BD-11	GaAlAs/GaAs DH Supper Red	632	1.80	2.20	22.00	28.00
GNS-3011BE-11	GaAsP/GaP Orange	632	2.10	2.50	8.00	12.00
GNS-3011BY-11	GaAsP/GaP Yellow	585	2.10	2.50	4.00	7.00
GNS-3011BG-11	GaP/GaP Green	568	2.20	2.50	7.00	11.00
Units		nm	V		mcd	